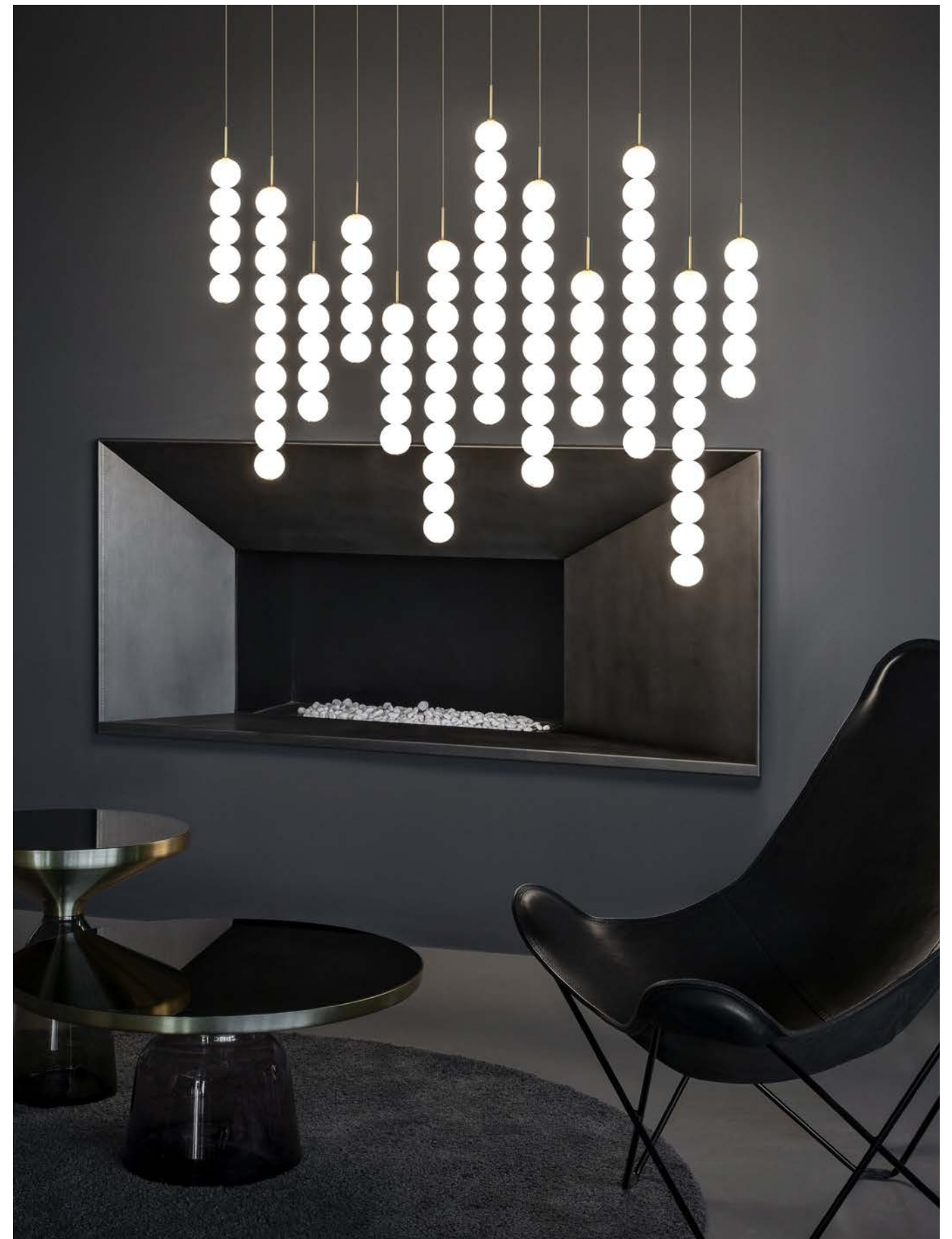


Abacus, multiplying *luminescence.*

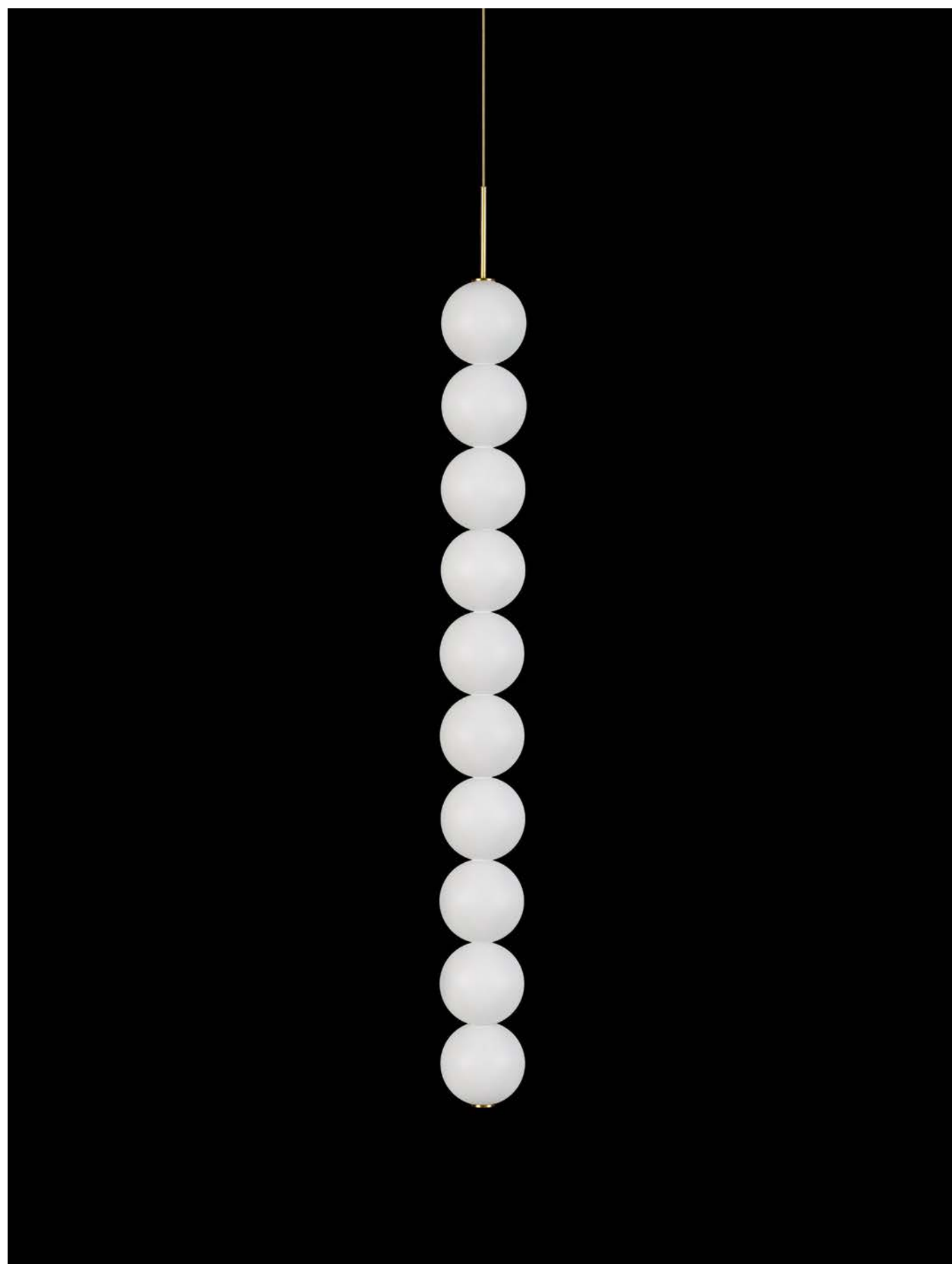
Used for centuries as the tool to both teach and communicate mathematics, the abacus was found in one form or another across the ancient world. At Terzani, we saw the beauty in the abacus' mathematical purity and clean, functional design. In the hands of Terzani's craftsmen, we've turned this inspiration into a new collection of modular pendant lamps whose flexibility allows for complex and beautiful configurations. Each module, or strand, of Abacus contains a custom set of round, hand-blown opal glass which emit a soft and uniform light. And, as the original abacus was used to calculate everything from simple addition to complex formulas, we've retained the same scalability. Due to its customization, our Abacus light is just as suitable in a home as a commercial space, and its almost infinite configurations makes sure you always come up with the right solution. Design Draw.

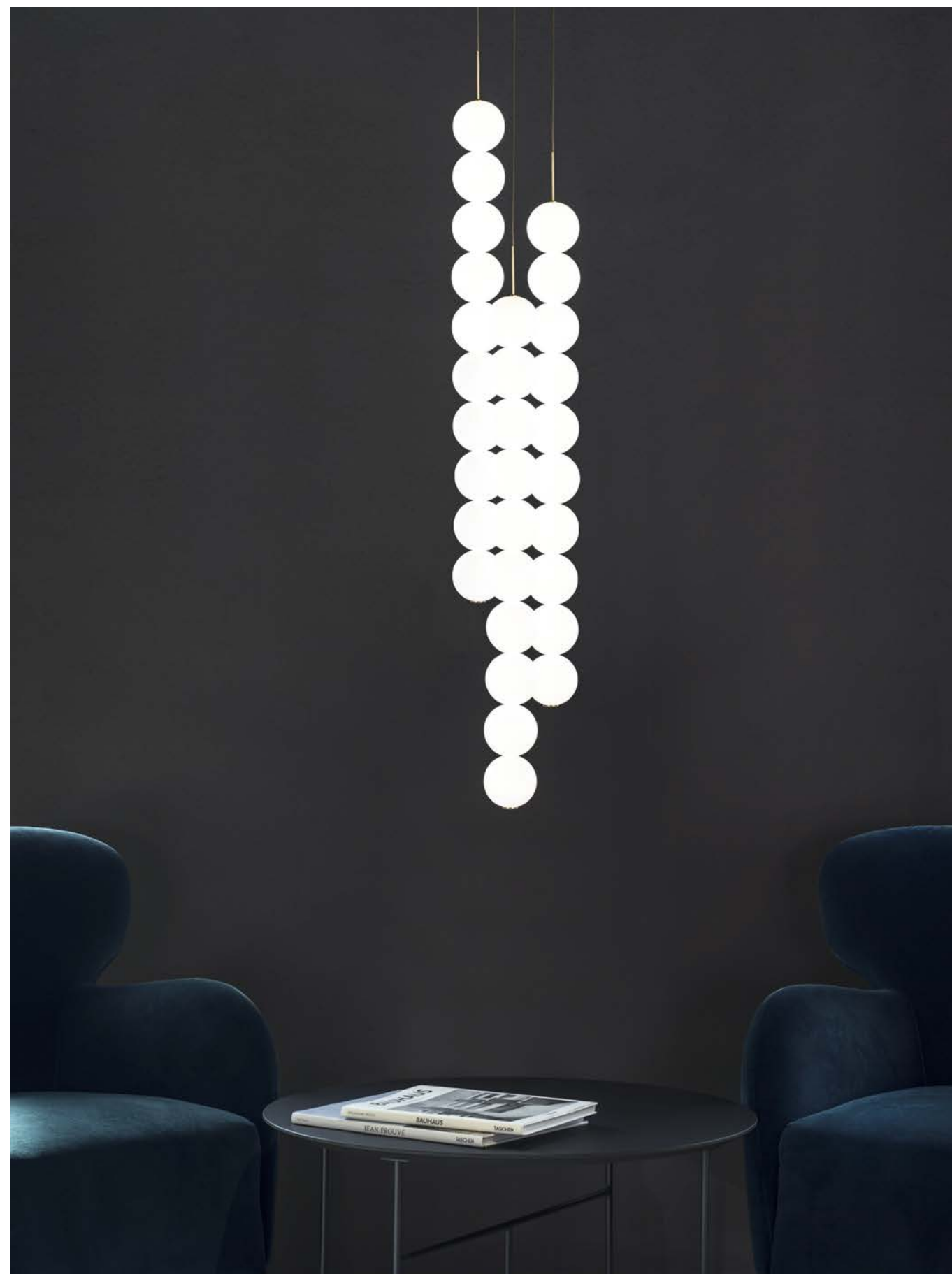
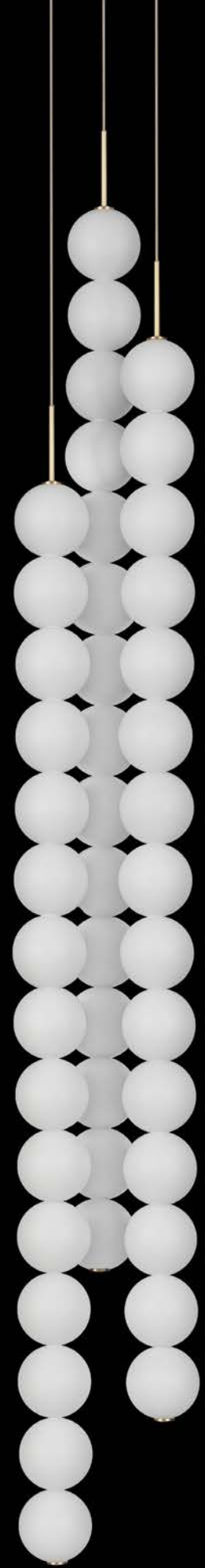


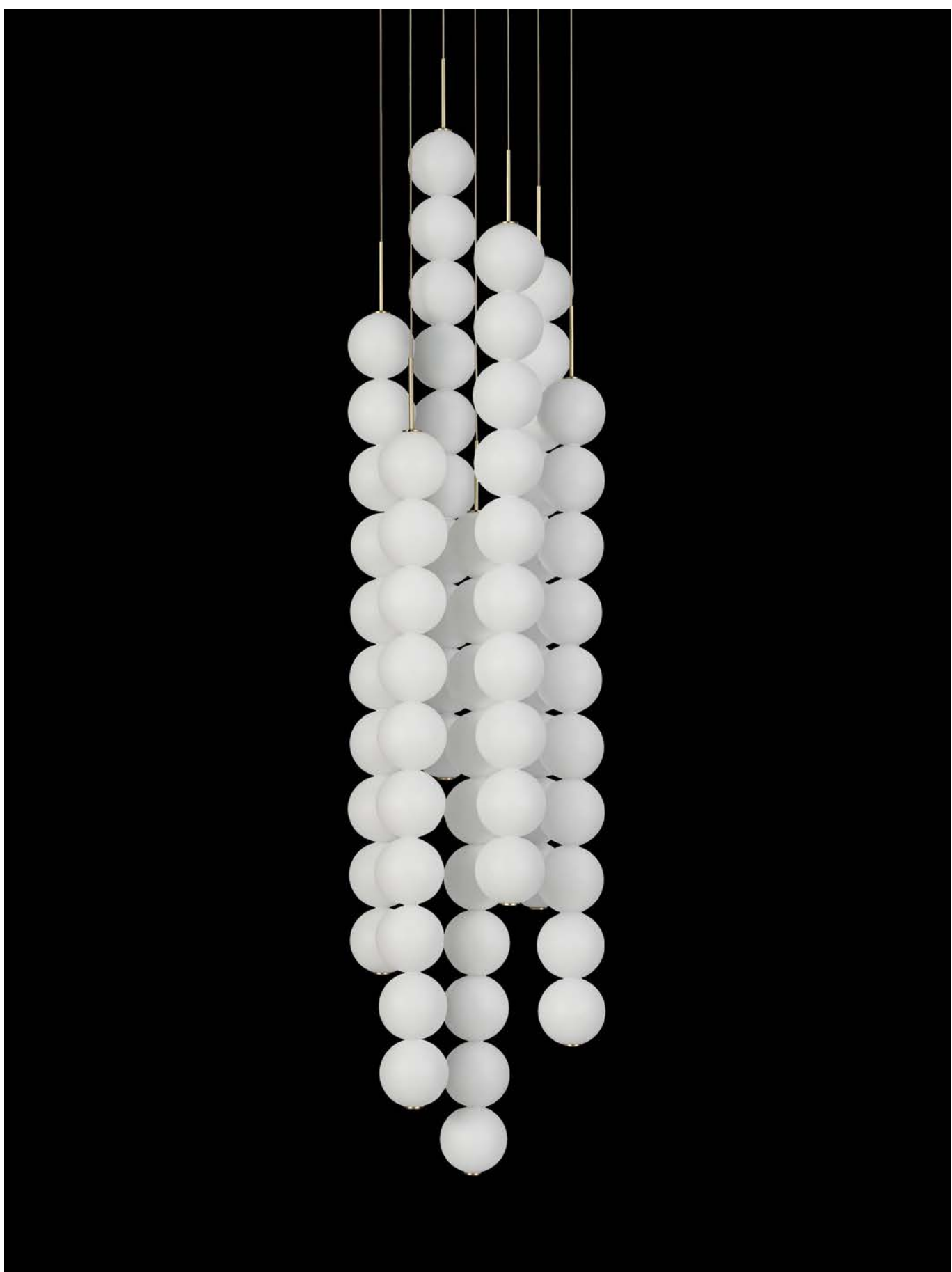


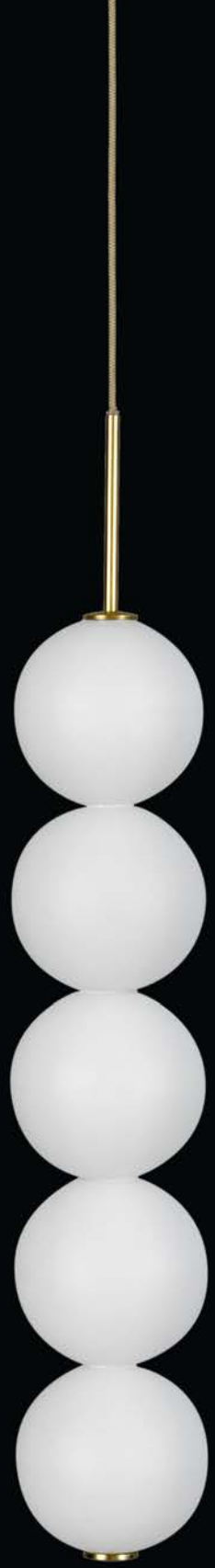




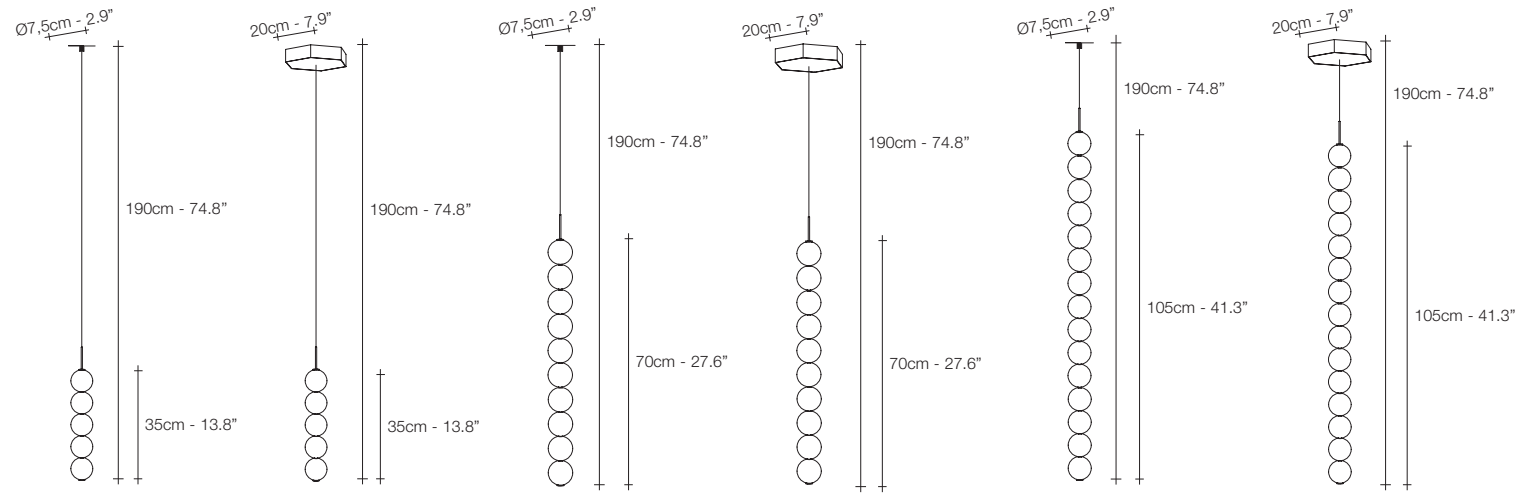




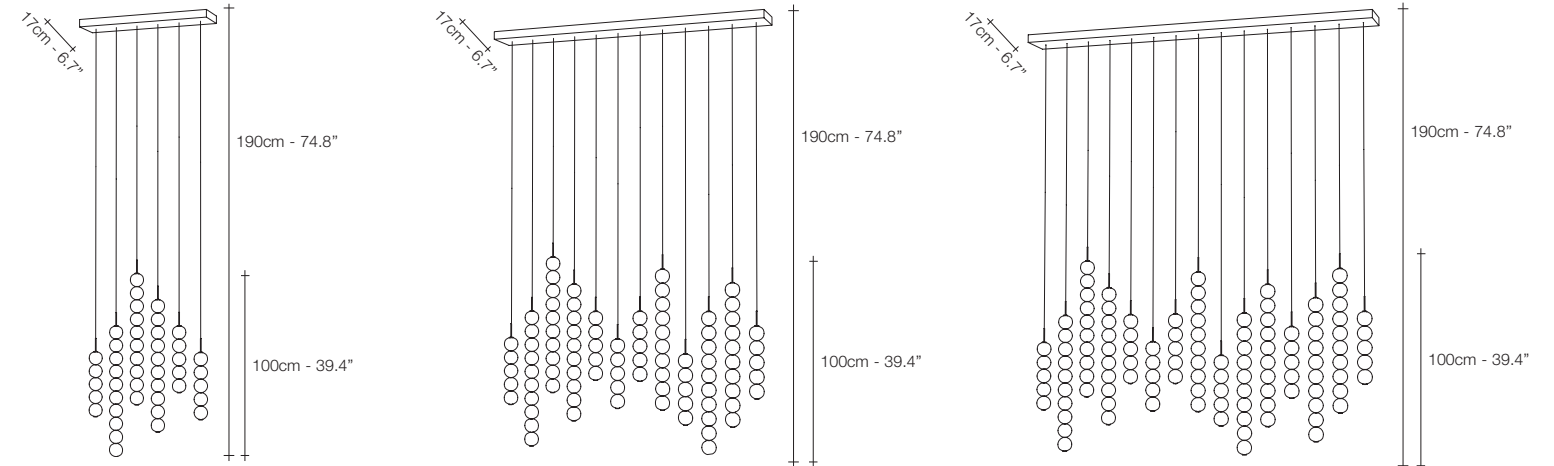




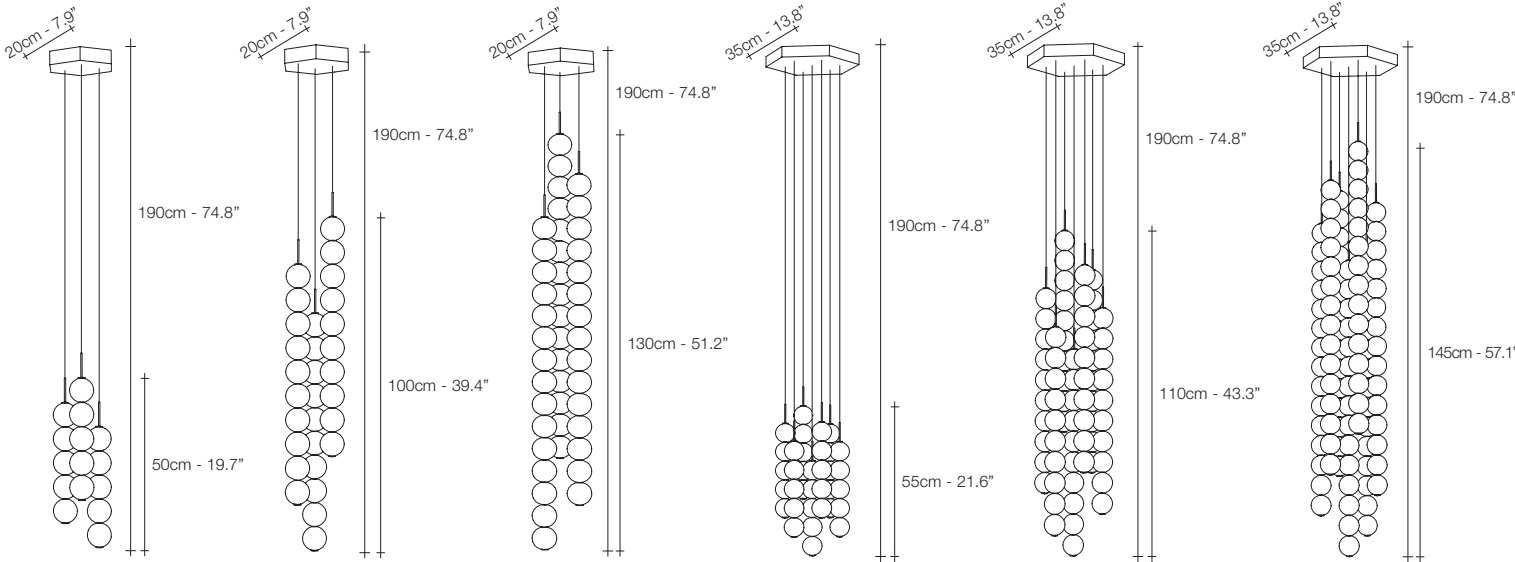




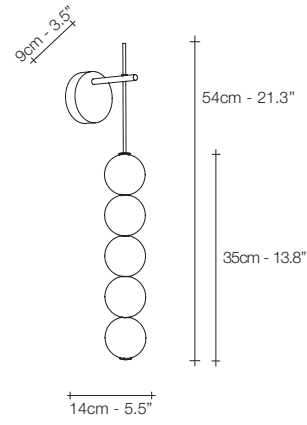
V01S 15KK 5 spheres
V01S P15 5 spheres
V01S 1AKK 10 spheres
V01S P1A 10 spheres
V01S 1FKK 15 spheres
V01S P1F 15 spheres



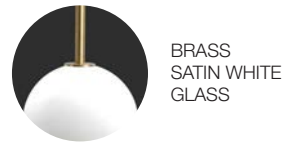
V06S R2B 3x5 - 3x10 spheres
V12S R3M 6x5 - 6x10 spheres
V15S R4D 7x5 - 8x10 spheres



V03S P1F 3x5 spheres
V03S P1V 3x10 spheres
V03S P2B 3x15 spheres
V07S P21 7x5 spheres
V07S P32 7x10 spheres
V07S P43 7x15 spheres



V01A 15
 5 spheres
 N/A in North America



BRASS
SATIN WHITE
GLASS

	LIGHT SOURCE	V01S 15KK	V01S P15	V01S 1AKK	V01S P1A	V01S 1FKK	V01S P1F	V03S P1F	V03S P1V	V03S P2B	V07S P21	V07S P32	V07S P43
230V	Replaceable LED module 3000K	3,6W 540lm	3,6W 540lm	7,2W 1080lm	7,2W 1080lm	10,8W 1620lm	10,8W 1620lm	3 x 3,6W 1620lm	3 x 7,2W 3240lm	3x10,8W 4860lm	7 x 3,6W 3780lm	7 x 7,2W 7560lm	7 x 10,8W 11340lm
	Dimmable	0/1-10V PWM 10-100kΩ PUSH/DALI	0/1-10V PWM 10-100kΩ PUSH/DALI	0/1-10V PWM 10-100kΩ PUSH/DALI	0/1-10V PWM 10-100kΩ PUSH/DALI	0/1-10V PWM 10-100kΩ PUSH/DALI	0/1-10V PWM 10-100kΩ PUSH/DALI	0/1-10V PWM 10-100kΩ PUSH/DALI	0/1-10V PWM 10-100kΩ PUSH/DALI	0/1-10V PWM 10-100kΩ PUSH/DALI	0/1-10V PWM 10-100kΩ PUSH/DALI	0/1-10V PWM 10-100kΩ PUSH/DALI	0/1-10V PWM 10-100kΩ PUSH/DALI
120V	Replaceable LED module 3000K	3,6W 540lm	3,6W 540lm	7,2W 1080lm	7,2W 1080lm	10,8W 1620lm	10,8W 1620lm	3 x 3,6W 1620lm	3 x 7,2W 3240lm	3 x 10,8W 4860lm	7 x 3,6W 3780lm	7 x 7,2W 7560lm	7 x 10,8W 11340lm
	Dimmable	0-10V PWM	0-10V PWM	0-10V PWM	0-10V PWM	0-10V PWM	0-10V PWM	0-10V PWM	0-10V PWM	0-10V PWM	0-10V PWM	0-10V PWM	0-10V PWM

Different dimming options on request

	LIGHT SOURCE	V06S R2B	V12S R3M	V15S R4D	V01A 15
230V	Replaceable LED module 3000K	3 x 3,6W 3 x 7,2W 4860lm	6 x 3,6W 6 x 7,2W 9720lm	7 x 3,6W 8 x 7,2W 12420lm	3,6W 540lm
	Dimmable	0/1-10V PWM 10-100kΩ PUSH/DALI	0/1-10V PWM 10-100kΩ PUSH/DALI	0/1-10V PWM 10-100kΩ PUSH/DALI	0/1-10V PUSH
120V	Replaceable LED module 3000K	3 x 3,6W 3 x 7,2W 4860lm	6 x 3,6W 6 x 7,2W 9720lm	7 x 3,6W 8 x 7,2W 12420lm	-
	Dimmable	0-10V PWM	0-10V PWM	0-10V PWM	-

Different dimming options on request